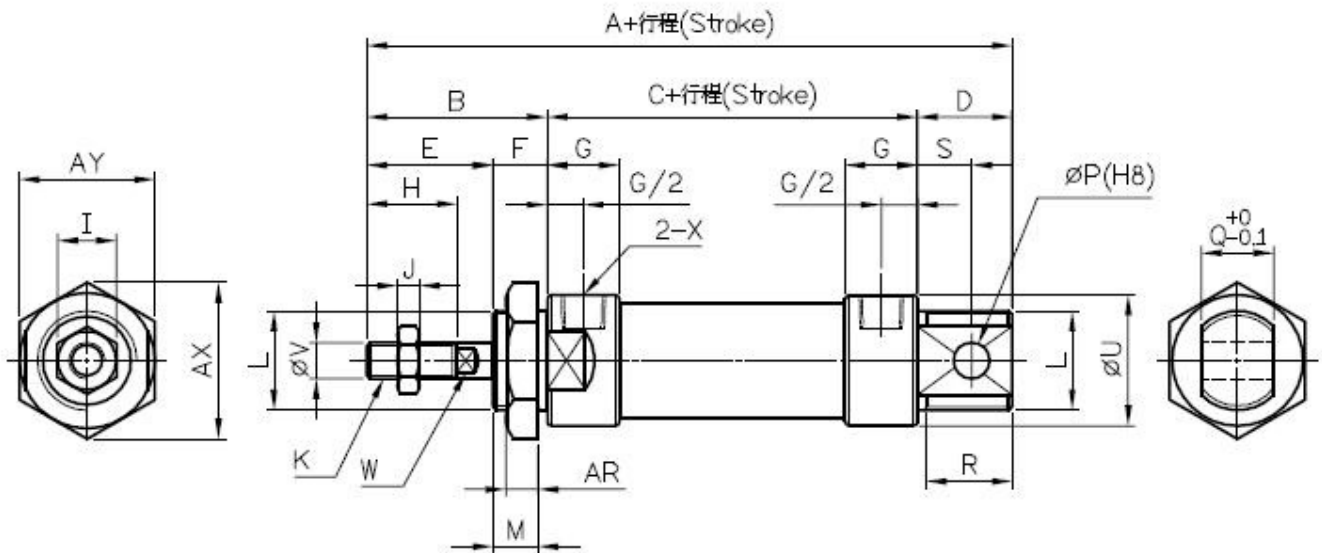


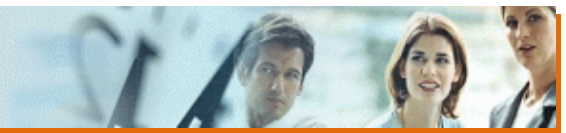


MAL Aluminum Alloy Mini Cylinder

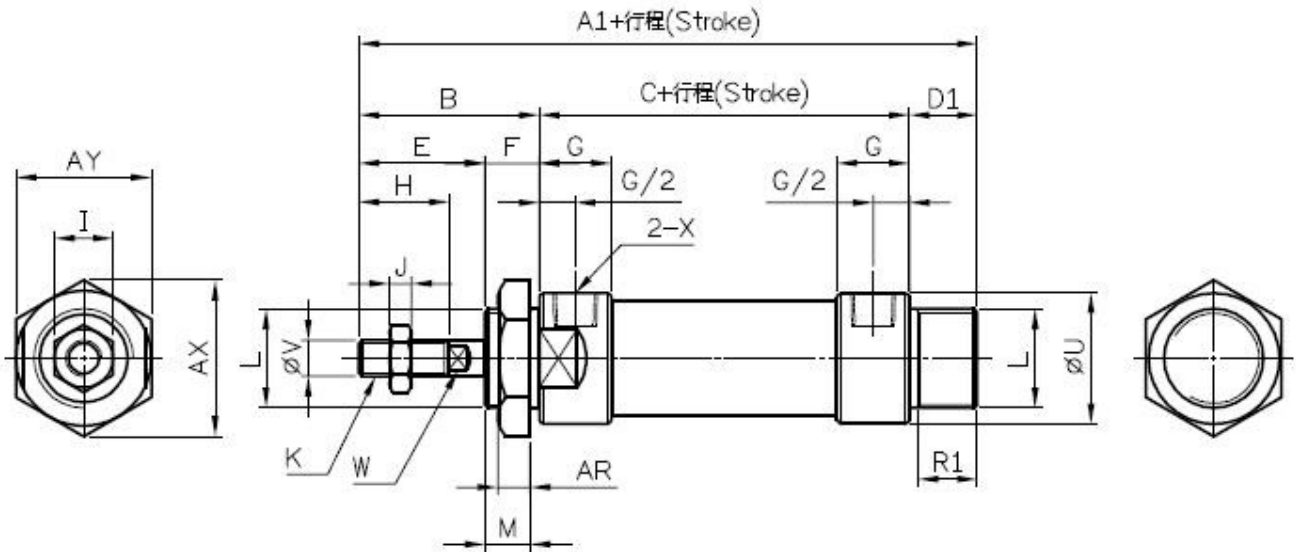


Dia	A	A1	A2	B	C	D	D1	E	F	G	H	I	J	K
16	110	-	94	38	56	16	-	22	16	10	16	10	4	M6*1.0
20	131	122	100	40	70	21	12	28	12	16	20	12	6	M8*1.25
25	135	128	114	44	70	21	14	30	14	16	22	17	6	M10*1.25
32	141	128	114	44	70	27	14	30	14	16	22	17	6	M10*1.25
40	165	152	138	46	92	27	14	32	14	22	24	17	7	M12*1.25

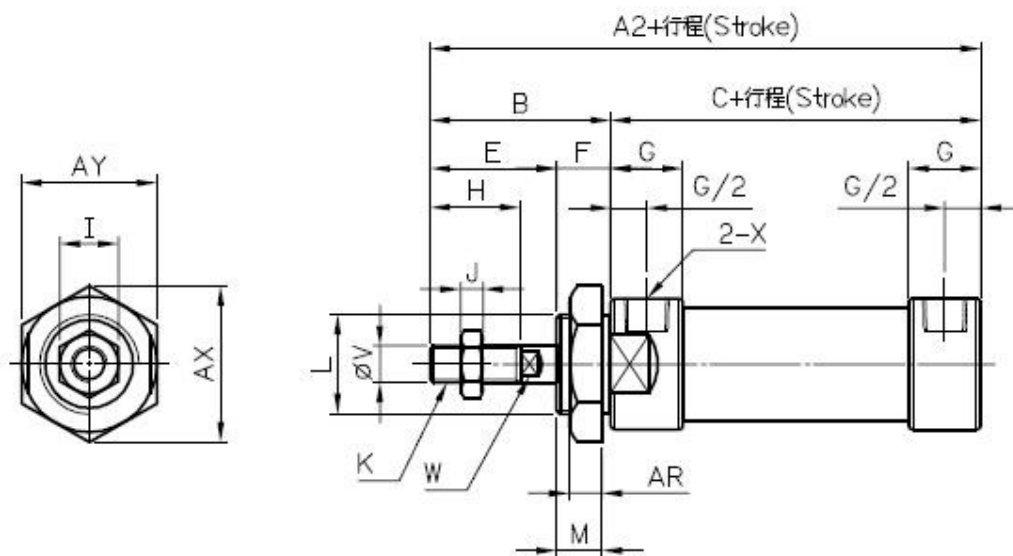
L	M	P	Q	R	R1	S	U	V	W	X	AR	AX	AY
M16*1.5	14	6	12	14	-	8.5	24	6	-	M5*0.8	8	27	23.5
M22*1.5	10	8	16	19	10	12	29	8	6	PT1/8	7	33	29
M22*1.5	12	8	16	19	12	12	34	10	8	PT1/8	7	33	29
M24*2.0	12	10	16	25	12	15	39.5	12	10	PT1/8	8	37	32
M30*2.0	12	12	20	25	12	15	49.5	14	14	PT1/4	9	47	41



MAL-CM Series Cylinder

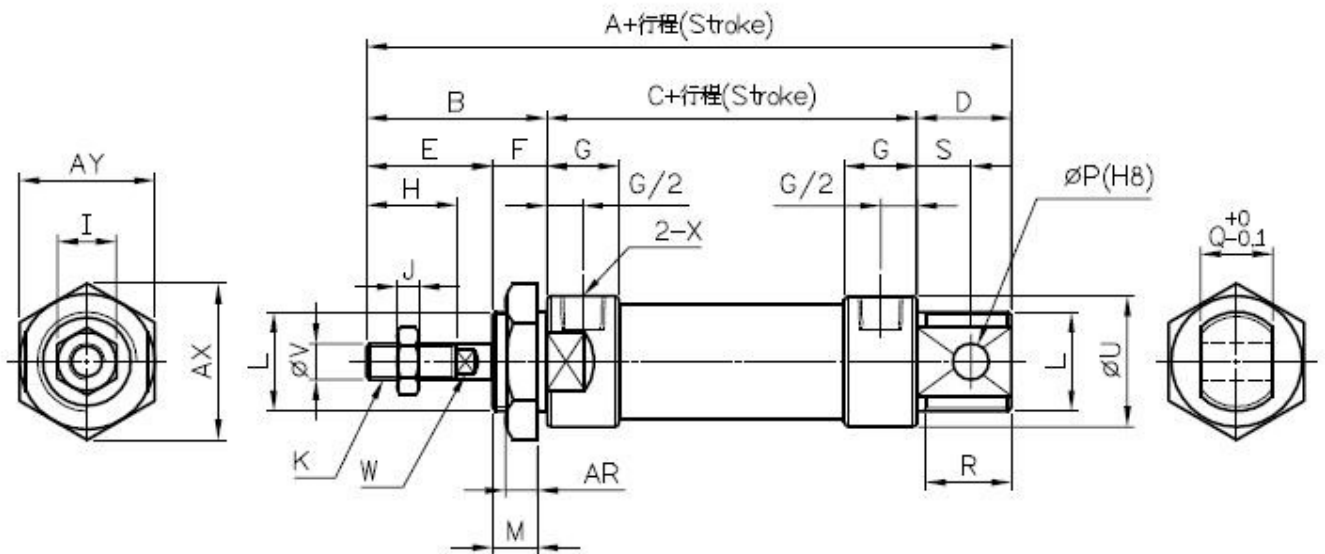


MAL-U Series Cylinder





NSAL Standard Cylinder(Rod out normal)



Di a	A		A1		A2		B	C		D	D1	E	F	G	H	I	J
	0-50	51-100	0-50	51-100	0-50	51-100		0-50	51-100								
20	131	156	122	147	110	135	40	70	95	21	12	28	12	16	20	12	6
25	135	160	160	153	114	139	44	70	95	21	14	30	14	16	22	17	6
32	141	166	166	153	114	139	44	70	95	27	14	30	14	16	22	17	6
40	165	190	190	171	138	163	46	92	117	27	14	32	14	22	24	17	7

Di a	K	L	M	P	Q	R	R1	S	U	V	W	X	AR	AX	AY
20	M8*1.25	M22*1.5	10	8	16	19	10	12	29	8	6	PT1/8	7	33	29
25	M10*1.25	M22*1.5	12	8	16	19	12	12	34	10	8	PT1/8	7	33	29
32	M10*1.25	M24*2.0	12	10	16	25	12	15	39.5	12	10	PT1/8	8	37	32
40	M12*1.25	M30*2.0	12	12	20	25	12	15	49.5	14	14	PT1/4	9	47	41