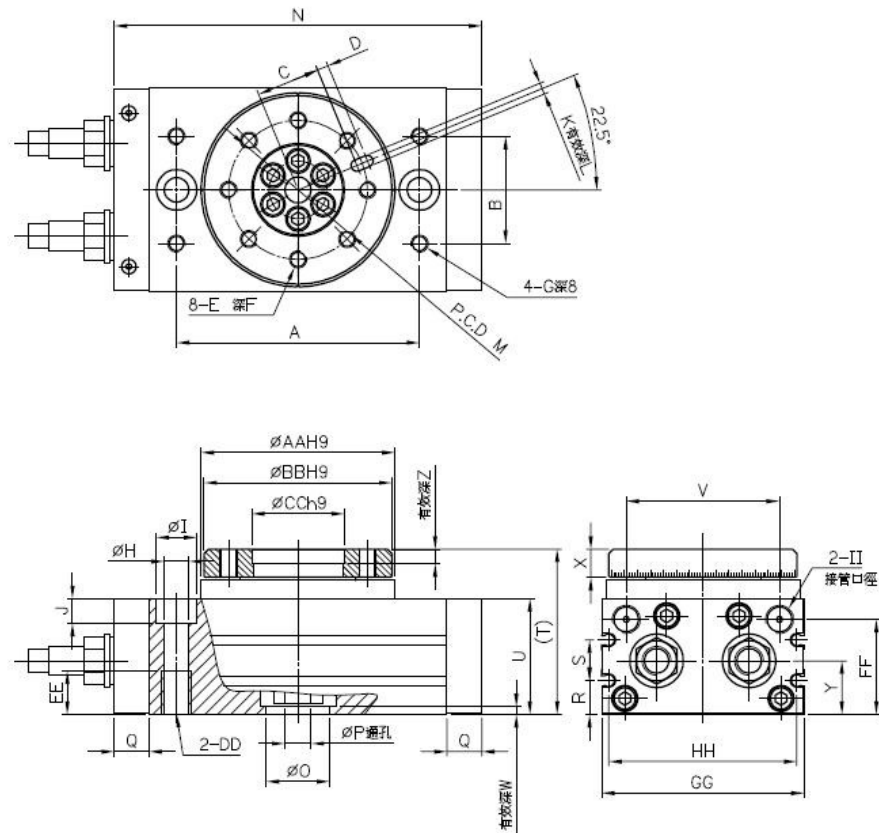




MSQ Series Rotary Cylinder



Dia	A	B	C	D	E	F	G	H	I	J	K	L	M	N	O	P	Q	
MSQB10	60	27	15	2	M5*0.8	8	M5*0.8	6.8	11	6.5	3H9	3.5	32	92	15H9	5	9.5	
MSQB20	76	34	20.5	2	M6*1	10	M6*1	8.6	14	8.5	4H9	4.5	43	117	17H9	9	12	
MSQB30	84	37	23	2	M6*1	10	M6*1	8.6	14	8.5	4H9	4.5	48	127	22H9	9	12	
Dia	R	S	T	U	V	W	X	Y	Z	AA	BB	CC	DD	EE	FF	GG	HH	II
MSQB10	9	13	47	34	34.5	3	8	15.5	4	46	45	20	M8*1.25	12	27.8	50	45	M5*0.8
MSQB20	10	12	54	37	51	2.5	10	16	6	61	60	28	M10*1.5	15	28.5	65	60	M5*0.8
MSQB30	11.5	14	57	40	50	3	10	18.5	4.5	67	65	32	M10*1.5	15	32	70	65	PT1/8