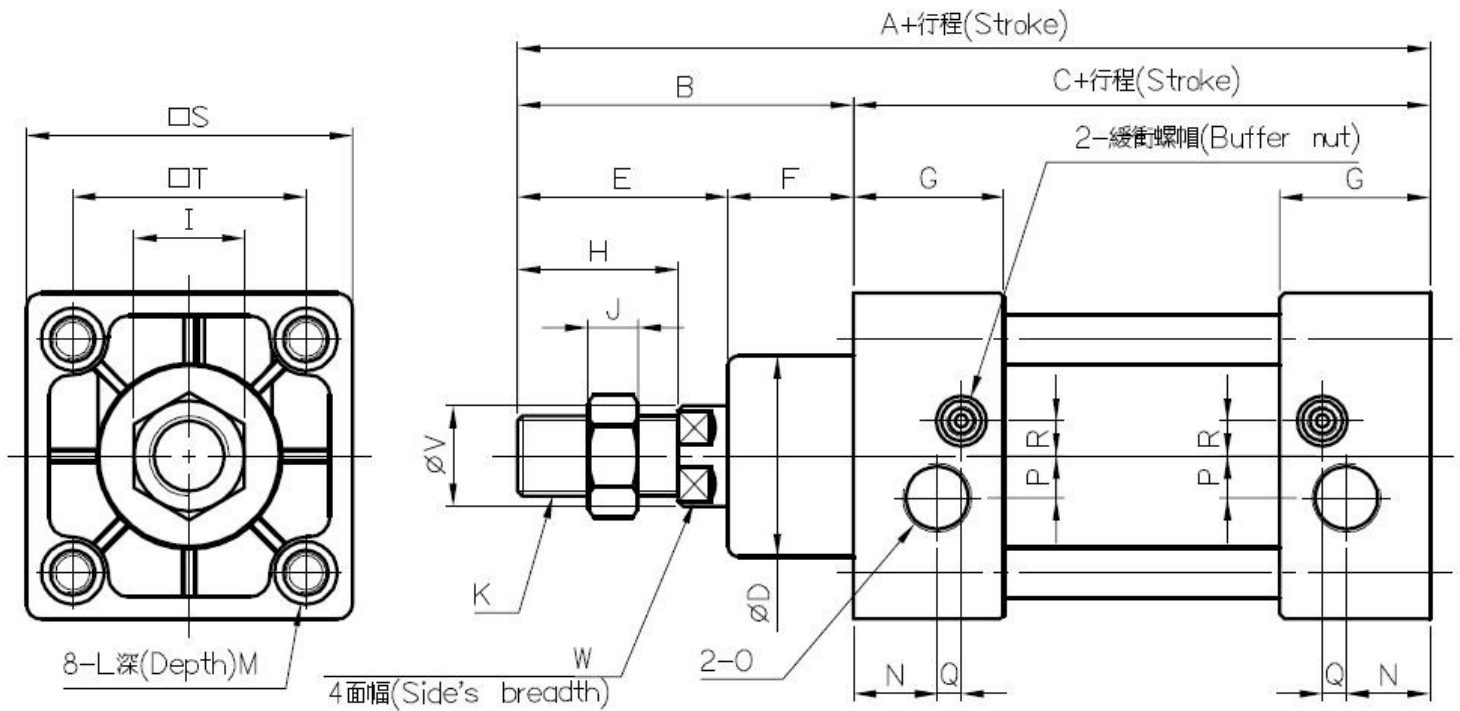




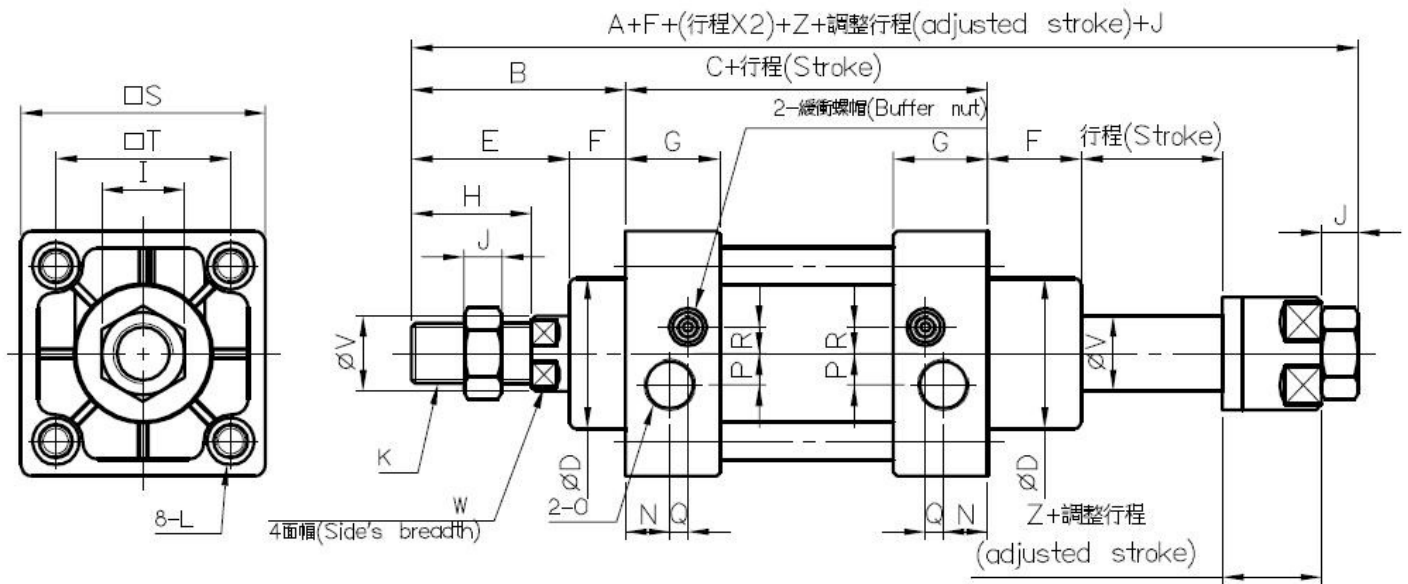
SC Series Standard Cylinder



Dia	A	B	C	D	E	F	G	H	I	J	K	L	M	N	O	P	Q	R	S	T	V	W	Z
32	140	47	93	26	32	15	27.5	22	17	6	M10*1.25	M6*1.0	9.5	13.7	PT1/8	3.5	7.5	7	45	33	12	10	21
40	142	49	93	30	34	15	27.5	24	17	7	M12*1.25	M6*1.0	9.5	13.5	PT1/4	6	8.2	9	50	37	16	14	21
50	150	57	93	36	42	15	27.5	32	23	8	M16*1.5	M6*1.0	9.5	13.5	PT1/4	8.5	8.2	9	62	47	20	17	23
63	153	57	96	36	42	15	27.5	32	23	8	M16*1.5	M8*1.25	9.5	13.5	PT3/8	7	8.2	8.5	75	56	20	17	23
80	183	75	108	47	54	21	33	40	26	10	M20*1.5	M10*1.5	11.5	16.5	PT3/8	10	9.5	14	94	70	25	22	29
100	183	75	108	47	54	21	33	40	26	10	M20*1.5	M10*1.5	11.5	16.5	PT1/2	11	9.5	14	112	84	25	22	29
125	239	103	136	56	71	32	40	54	36	9	M27*2.0	M12*1.75	21	16.5	PT1/2	—	—	—	140	110	32	28	33
160	289	121	168	65	96	30	51	72	50	16	M36*2.0	M16*2.0	25	26	PT3/4	—	—	—	179.5	140	40	36	38
200	285	137	148	75	117	20	45	72	50	16	M36*2.0	M16*2.0	25	22.5	PT1/2	—	—	—	220	175	45	42	42



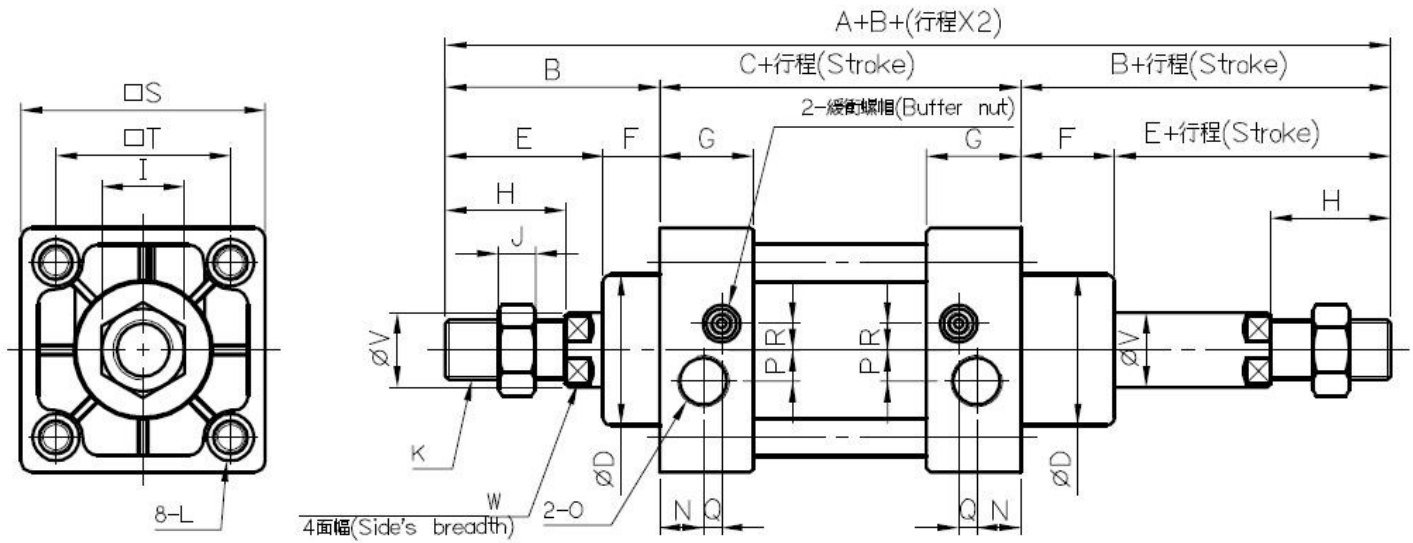
SCJ Double Axis Adjustable Type



Dia	A	B	C	D	E	F	G	H	I	J	K	L	M	N	O	P	Q	R	S	T	V	W	Z
32	140	47	93	26	32	15	27.5	22	17	6	M10*1.25	M6*1.0	9.5	13.7	PT1/8	3.5	7.5	7	45	33	12	10	21
40	142	49	93	30	34	15	27.5	24	17	7	M12*1.25	M6*1.0	9.5	13.5	PT1/4	6	8.2	9	50	37	16	14	21
50	150	57	93	36	42	15	27.5	32	23	8	M16*1.5	M6*1.0	9.5	13.5	PT1/4	8.5	8.2	9	62	47	20	17	23
63	153	57	96	36	42	15	27.5	32	23	8	M16*1.5	M8*1.25	9.5	13.5	PT3/8	7	8.2	8.5	75	56	20	17	23
80	183	75	108	47	54	21	33	40	26	10	M20*1.5	M10*1.5	11.5	16.5	PT3/8	10	9.5	14	94	70	25	22	29
100	183	75	108	47	54	21	33	40	26	10	M20*1.5	M10*1.5	11.5	16.5	PT1/2	11	9.5	14	112	84	25	22	29
125	239	103	136	56	71	32	40	54	36	9	M27*2.0	M12*1.75	21	16.5	PT1/2	—	—	—	140	110	32	28	33
160	289	121	168	65	96	30	51	72	50	16	M36*2.0	M16*2.0	25	26	PT3/4	—	—	—	179.5	140	40	36	38
200	285	137	148	75	117	20	45	72	50	16	M36*2.0	M16*2.0	25	22.5	PT1/2	—	—	—	220	175	45	42	42



SCD Double Axis



Dia	A	B	C	D	E	F	G	H	I	J	K	L	M	N	O	P	Q	R	S	T	V	W	Z
32	140	47	93	26	32	15	27.5	22	17	6	M10*1.25	M6*1.0	9.5	13.7	PT1/8	3.5	7.5	7	45	33	12	10	21
40	142	49	93	30	34	15	27.5	24	17	7	M12*1.25	M6*1.0	9.5	13.5	PT1/4	6	8.2	9	50	37	16	14	21
50	150	57	93	36	42	15	27.5	32	23	8	M16*1.5	M6*1.0	9.5	13.5	PT1/4	8.5	8.2	9	62	47	20	17	23
63	153	57	96	36	42	15	27.5	32	23	8	M16*1.5	M8*1.25	9.5	13.5	PT3/8	7	8.2	8.5	75	56	20	17	23
80	183	75	108	47	54	21	33	40	26	10	M20*1.5	M10*1.5	11.5	16.5	PT3/8	10	9.5	14	94	70	25	22	29
100	183	75	108	47	54	21	33	40	26	10	M20*1.5	M10*1.5	11.5	16.5	PT1/2	11	9.5	14	112	84	25	22	29
125	239	103	136	56	71	32	40	54	36	9	M27*2.0	M12*1.75	21	16.5	PT1/2	—	—	—	140	110	32	28	33
160	289	121	168	65	96	30	51	72	50	16	M36*2.0	M16*2.0	25	26	PT3/4	—	—	—	179.5	140	40	36	38
200	285	137	148	75	117	20	45	72	50	16	M36*2.0	M16*2.0	25	22.5	PT1/2	—	—	—	220	175	45	42	42