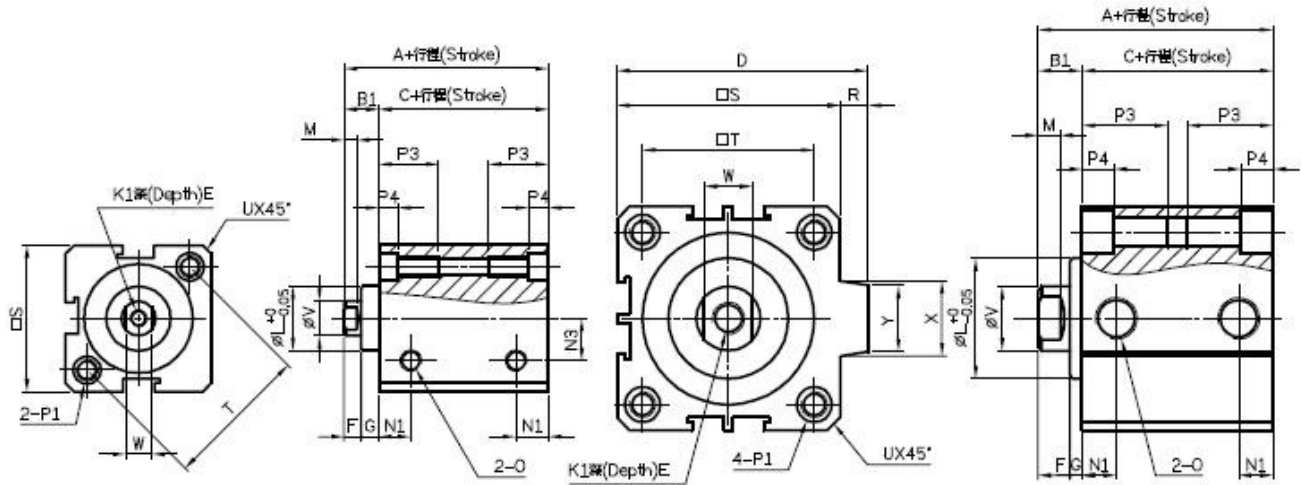




# Standard & With/Without Magnet

## SDA(Standard)/SDAS(with magnet)



Ø12~Ø16

Ø20~Ø100

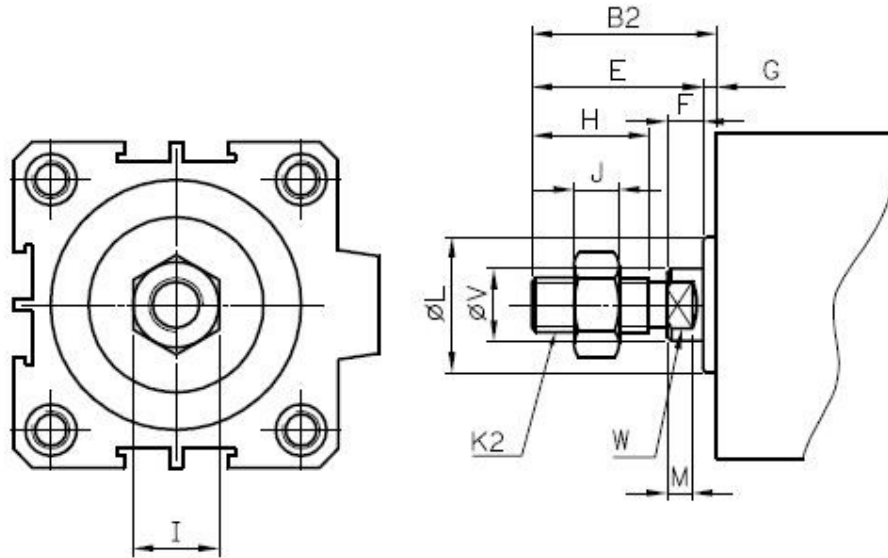
Type	Standard Type			Attach Magnet			D	E		F	G	K1	L	M	N1
	A	B1	C	A	B1	C		S ≤ 10	S > 10						
12	22	5	17	32	5	27	-	6	4	1	M3*0.5	10.2	2.8	6.3	
16	24	5.5	18.5	34	5.5	28.5	-	6	4	1.5	M3*0.5	11	2.8	7.3	
20	25	5.5	19.5	35	5.5	29.5	36	8	4	1.5	M4*0.7	15	2.8	7.5	
25	27	6	21	37	6	31	42	10	4	2	M5*0.8	17	2.8	8	
32	31.5	7	24.5	41.5	7	34.5	50	12	4	3	M6*1.0	22	2.8	9	
40	33	7	26	43	7	36	58.5	12	4	3	M8*1.25	28	2.8	10	
50	37	9	28	47	9	38	71.5	15	5	4	M10*1.5	38	2.8	10.5	
63	41	9	32	51	9	42	84.5	15	5	4	M10*1.5	40	2.8	11.8	
80	52	11	41	62	11	51	104	15	6	5	M14*1.5	45	4	14.5	
100	63	12	51	73	12	61	124	18	7	5	M18*1.5	55	4	20.5	

Dia	N3	O	P1	P3	P4	R	S	T	U	V	W	X	Y
12	6	M5*0.8	BS: Φ6.5 C:M5*0.8 P: Φ4.2	12	4.5	-	25	16.2	1.6	6	5	-	-
16	6.5	M5*0.8	BS: Φ6.5 C:M5*0.8 P: Φ4.2	12	4.5	-	29	19.8	1.6	6	5	-	-
20	-	M5*0.8	BS: Φ6.5 C:M5*0.8 P: Φ4.2	12	4.5	2	34	24	2.1	8	6	11.3	10
25	-	M5*0.8	BS: Φ8.2 C:M6*1.0 P: Φ4.6	15	5.5	2	40	28	3.1	10	8	12	10
32	-	PT1/8	BS: Φ8.2 C:M6*1.0 P: Φ4.6	16	5.5	6	44	34	2.15	12	10	18.3	15
40	-	PT1/8	BS: Φ10 C:M8*1.25 P: Φ6.5	20	7.5	6.5	52	40	2.25	16	14	21.3	16
50	-	PT1/4	BS: Φ10 C:M8*1.25 P: Φ6.5	25	8.5	9.5	62	48	4.15	20	17	30	20
63	-	PT1/4	BS: Φ10 C:M8*1.25 P: Φ6.5	25	8.5	9.5	75	60	3.15	20	17	28.7	20
80	-	PT3/8	BS: Φ14 C:M12*1.75 P: Φ9.2	25	10.5	10	94	74	3.65	25	22	36	26
100	-	PT3/8	BS: Φ17.5 C:M14*2.0 P: Φ11.3	30	13	10	114	90	3.65	32	27	35	26

S: Stroke  
 BS: Both sides  
 C: Cong  
 P: Ports



## Size Of Male Thread

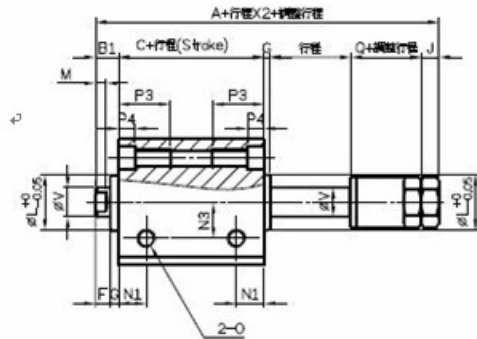
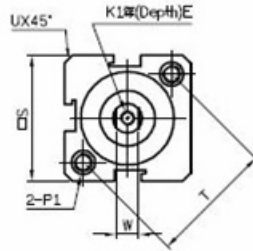


Dia	B2	E	F	G	H	I	J	M	L	V	K2	W
12	17	16	4	1	10	8	4	2.8	10.2	6	M5*0.8	5
16	17.5	16	4	1.5	10	8	4	2.8	11	6	M5*0.8	5
20	20.5	19	4	1.5	13	10	5	2.8	15	8	M6*1.0	6
25	23	21	4	2	15	12	6	2.8	17	10	M8*1.25	8
32	25	22	4	3	15	17	6	2.8	22	12	M10*1.25	10
40	35	32	4	3	25	19	8	2.8	28	16	M14*1.5	14
50	37	33	5	4	25	27	11	2.8	38	20	M18*1.5	17
63	37	33	5	4	25	27	11	2.8	40	20	M18*1.5	17
80	44	39	6	5	30	32	13	4	45	25	M22*1.5	22
100	50	45	7	5	35	36	13	4	55	32	M26*1.5	27

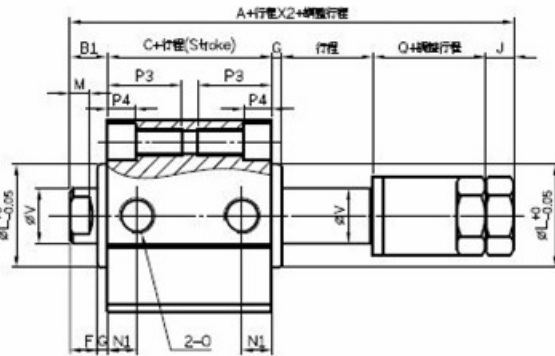
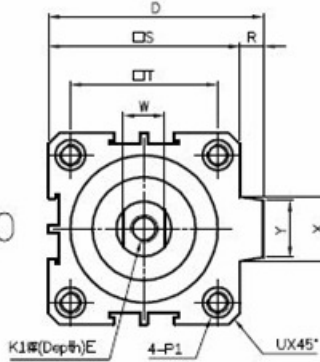


**SDAJ(Double Axis Adjustable)**  
**SDAJS(with magnet)**

∅12~∅16

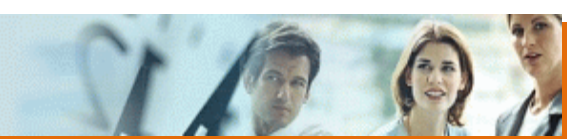


∅20~∅100



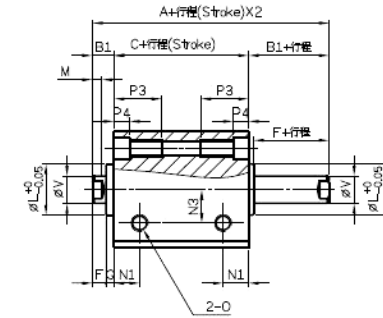
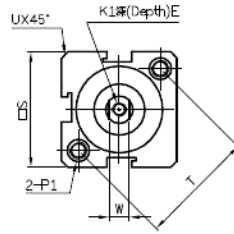
Type	Standard Type			Attach Magnet			D	E		F	G	K1	L	M	N1
	A	B1	C	A	B1	C		S ≤ 10	S > 10						
12	22	5	17	32	5	27	-	6	4	1	M3*0.5	10.2	2.8	6.3	
16	24	5.5	18.5	34	5.5	28.5	-	6	4	1.5	M3*0.5	11	2.8	7.3	
20	25	5.5	19.5	35	5.5	29.5	36	8	4	1.5	M4*0.7	15	2.8	7.5	
25	27	6	21	37	6	31	42	10	4	2	M5*0.8	17	2.8	8	
32	31.5	7	24.5	41.5	7	34.5	50	12	4	3	M6*1.0	22	2.8	9	
40	33	7	26	43	7	36	58.5	12	4	3	M8*1.25	28	2.8	10	
50	37	9	28	47	9	38	71.5	15	5	4	M10*1.5	38	2.8	10.5	
63	41	9	32	51	9	42	84.5	15	5	4	M10*1.5	40	2.8	11.8	
80	52	11	41	62	11	51	104	15	20	6	M14*1.5	45	4	14.5	
100	63	12	51	73	12	61	124	18	20	7	M18*1.5	55	4	20.5	
Dia	N3	O	P1			P3	P4	R	S	T	U	V	W	X	Y
12	6	M5*0.8	BS:∅6.5 C:M5*0.8 P:∅4.2			12	4.5	-	25	16.2	1.6	6	5	-	-
16	6.5	M5*0.8	BS:∅6.5 C:M5*0.8 P:∅4.2			12	4.5	-	29	19.8	1.6	6	5	-	-
20	-	M5*0.8	BS:∅6.5 C:M5*0.8 P:∅4.2			12	4.5	2	34	24	2.1	8	6	11.3	10
25	-	M5*0.8	BS:∅8.2 C:M6*1.0 P:∅4.6			15	5.5	2	40	28	3.1	10	8	12	10
32	-	PT1/8	BS:∅8.2 C:M6*1.0 P:∅4.6			16	5.5	6	44	34	2.15	12	10	18.3	15
40	-	PT1/8	BS:∅10 C:M8*1.25 P:∅6.5			20	7.5	6.5	52	40	2.25	16	14	21.3	16
50	-	PT1/4	BS:∅10 C:M8*1.25 P:∅6.5			25	8.5	9.5	62	48	4.15	20	17	30	20
63	-	PT1/4	BS:∅10 C:M8*1.25 P:∅6.5			25	8.5	9.5	75	60	3.15	20	17	28.7	20
80	-	PT3/8	BS:∅14 C:M12*1.75 P:∅9.2			25	10.5	10	94	74	3.65	25	22	36	26
100	-	PT3/8	BS:∅17.5 C:M14*2.0 P:∅11.3			30	13	10	114	90	3.65	32	27	35	26

**S: Stroke**    **BS: Both sides**  
**C: Cong**    **P: Ports**

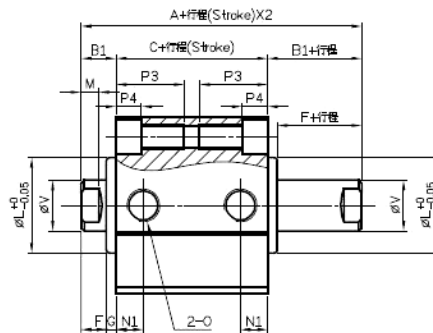
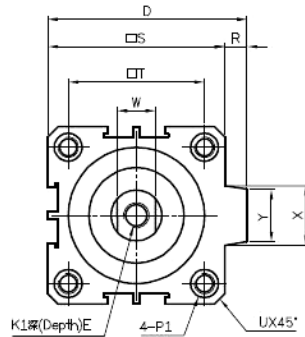


**SDAD(Double Axis w/o magnet)**  
**SDADS(with magnet)**

∅12~∅16



∅20~∅100



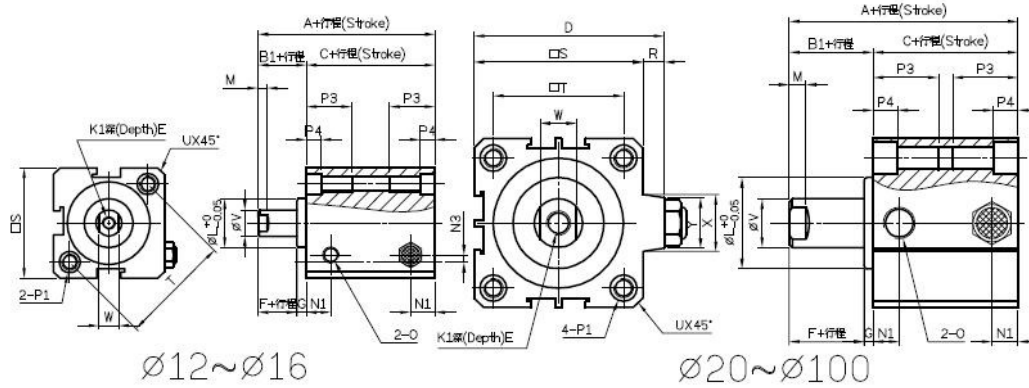
Type	Standard Type			Attach Magnet			D	E		F	G	K1	L	M	N1
	A	B1	C	A	B1	C		S ≤ 10	S > 10						
12	22	5	17	32	5	27	-	6	4	1	M3*0.5	10.2	2.8	6.3	
16	24	5.5	18.5	34	5.5	28.5	-	6	4	1.5	M3*0.5	11	2.8	7.3	
20	25	5.5	19.5	35	5.5	29.5	36	8	4	1.5	M4*0.7	15	2.8	7.5	
25	27	6	21	37	6	31	42	10	4	2	M5*0.8	17	2.8	8	
32	31.5	7	24.5	41.5	7	34.5	50	12	4	3	M6*1.0	22	2.8	9	
40	33	7	26	43	7	36	58.5	12	4	3	M8*1.25	28	2.8	10	
50	37	9	28	47	9	38	71.5	15	5	4	M10*1.5	38	2.8	10.5	
63	41	9	32	51	9	42	84.5	15	5	4	M10*1.5	40	2.8	11.8	
80	52	11	41	62	11	51	104	15	20	6	M14*1.5	45	4	14.5	
100	63	12	51	73	12	61	124	18	20	7	M18*1.5	55	4	20.5	
Dia	N3	O	P1	P3	P4	R	S	T	U	V	W	X	Y		
12	6	M5*0.8	BS: ∅6.5 C: M5*0.8 P: ∅4.2	12	4.5	-	25	16.2	1.6	6	5	-	-		
16	6.5	M5*0.8	BS: ∅6.5 C: M5*0.8 P: ∅4.2	12	4.5	-	29	19.8	1.6	6	5	-	-		
20	-	M5*0.8	BS: ∅6.5 C: M5*0.8 P: ∅4.2	12	4.5	2	34	24	2.1	8	6	11.3	10		
25	-	M5*0.8	BS: ∅8.2 C: M6*1.0 P: ∅4.6	15	5.5	2	40	28	3.1	10	8	12	10		
32	-	PT1/8	BS: ∅8.2 C: M6*1.0 P: ∅4.6	16	5.5	6	44	34	2.15	12	10	18.3	15		
40	-	PT1/8	BS: ∅10 C: M8*1.25 P: ∅6.5	20	7.5	6.5	52	40	2.25	16	14	21.3	16		
50	-	PT1/4	BS: ∅10 C: M8*1.25 P: ∅6.5	25	8.5	9.5	62	48	4.15	20	17	30	20		
63	-	PT1/4	BS: ∅10 C: M8*1.25 P: ∅6.5	25	8.5	9.5	75	60	3.15	20	17	28.7	20		
80	-	PT3/8	BS: ∅14 C: M12*1.75 P: ∅9.2	25	10.5	10	94	74	3.65	25	22	36	26		
100	-	PT3/8	BS: ∅17.5 C: M14*2.0 P: ∅11.3	30	13	10	114	90	3.65	32	27	35	26		

S: Stroke  
 BS: Both sides  
 C: Cong  
 P: Ports

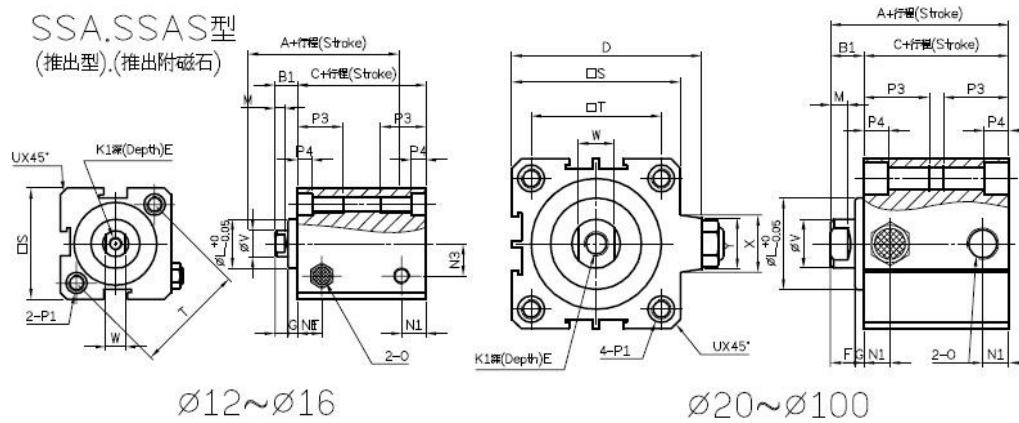


**SSA(Single-acting Rod out normal)**  
**SSAS(with magnet)**  
**STA(Single-acting Rod in normal)**

STA.STAS型  
 (引入型),(引入附磁石)



SSA.SSAS型  
 (推出型),(推出附磁石)

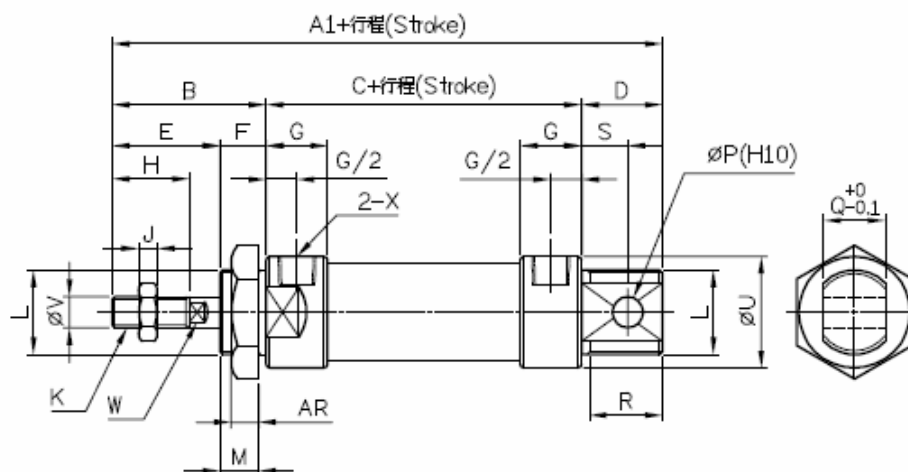
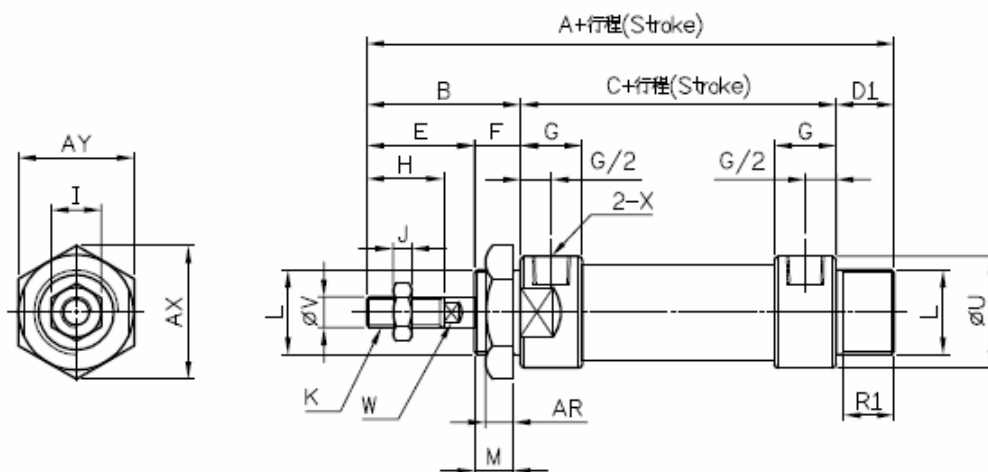


Type	Standard type			Attach magnet			D	E	F	G	K1	L	M	N1				
	A	B1	C	A	B1	C												
	≤ 10	> 10		≤ 10	> 10													
12	32	42	5	27	37	42	52	5	37	47	-	4	4	1	M3*0.5	10.2	2.8	6.3
16	34	44	5.5	28.5	38.5	44	54	5.5	38.5	48.5	-	4	4	1.5	M3*0.5	11	2.8	7.3
20	35	45	5.5	29.5	39.5	45	55	5.5	39.5	49.5	36	4	4	1.5	M4*0.7	15	2.8	7.5
25	37	47	6	31	41	47	57	6	41	51	42	4	4	2	M5*0.8	17	2.8	9
32	41.5	51.5	7	34.5	44.5	51.5	61.5	7	44.5	54.5	50	4	4	3	M6*1.0	22	2.8	9
40	43	53	7	36	46	53	63	7	46	56	58.5	4	4	3	M8*1.25	28	2.8	10

Dia	N3	O	P1	P3	P4	R	S	T	U	V	W	X	Y
12	6	M5*0.8	BS: Φ6.5 C:M5*0.8 P: Φ4.2	12	4.5	-	25	16.2	1.6	6	5	-	-
16	6.5	M5*0.8	BS: Φ6.5 C:M5*0.8 P: Φ4.2	12	4.5	-	29	19.8	1.6	6	5	-	-
20	-	M5*0.8	BS: Φ6.5 C:M5*0.8 P: Φ4.2	14	4.5	2	34	24	2.1	8	6	11.3	10
25	-	M5*0.8	BS: Φ8.2 C:M6*1.0 P: Φ4.6	15	5.5	2	40	28	3.1	10	8	12	10
32	-	PT1/8	BS: Φ8.2 C:M6*1.0 P: Φ4.6	16	5.5	6	44	34	2.15	12	10	18.3	15
40	-	PT1/8	BS: Φ10 C:M8*1.25 P: Φ6.5	20	7.5	6.5	52	40	2.25	16	14	21.3	16



## SA(win-key)



Dia	A	A1	B	C	D	D1	E	F	G	H	I	J	K
30	127	138	45	69	24	13	32	13	16	22	17	5.5	M10*1.25
40	157	169	50	91	28	16	34	16	22	24	19	6	M14*1.5
50	157	169	50	91	28	-	34	16	22	24	22	7	M14*1.5

Dia	L	M	P	Q	R	R1	S	U	V	W	X	AR	AX	AY
30	M26*1.5	11	10	16	24	13	14	37	12	10	PT1/8	8	36	33
40	M32*2.0	14	12	16	28	16	16	50	16	14	PT1/4	10	44	39
50	M32*2.0	14	12	16	28	16	16	56	16	14	PT1/4	10	44	38.5